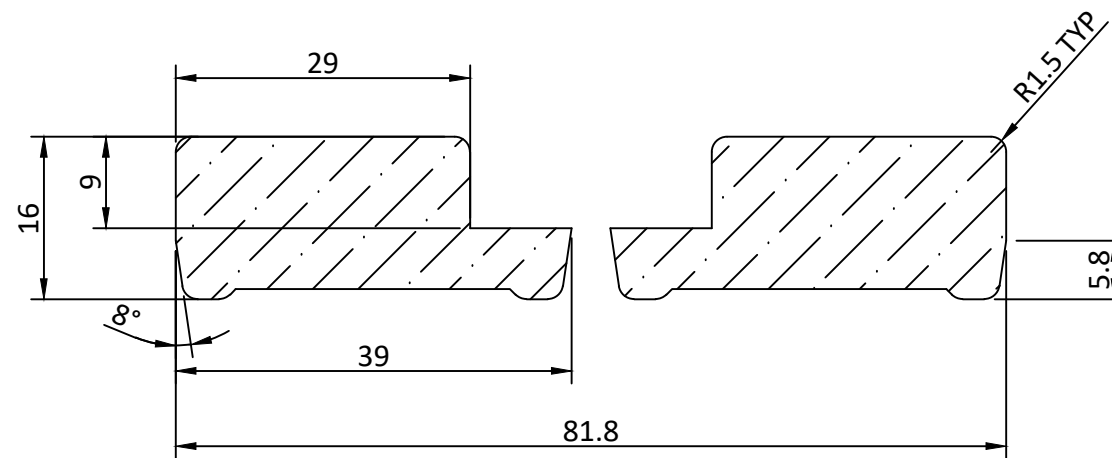

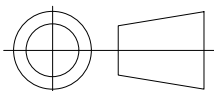


DO NOT SCALE
 SHEET SIZE A4
 GENERAL TOLERANCE ± 0.25



0

CLIENT: PORTA	PROFILE NAME: CONTOURS BEAD	DESCRIPTION: CUSTOM MOULD		DRAWN: SATISH		Porta 224-256 Heidelberg Road Fairfield 3078 VIC Australia P.O. Box 195 Fairfield 3078 VIC Australia	Tel +61 3 9488 3222 Fax 61 3 9489 24 59 info@porta.com.au www.porta.com.au
				CREATED: 4/3/2019			
PROJECT NAME / JOB TITLE: STRATA CORNER BEAD	DWG TITLE / PRODUCT CODE: CBD3916	SPECIES:		REVISION: 0			
			EDITED: 4/3/2019				