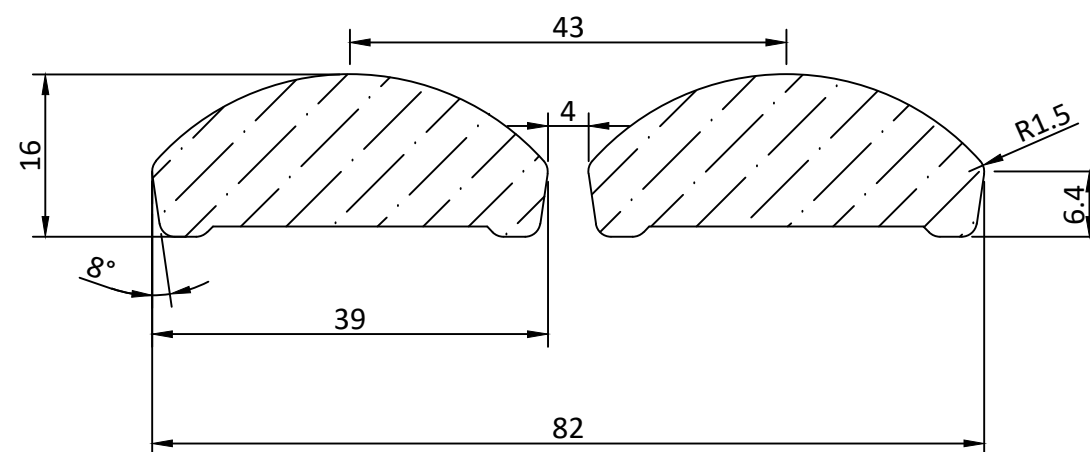


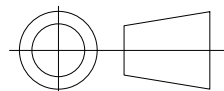


DO NOT SCALE  
 SHEET SIZE A4  
 GENERAL TOLERANCE  $\pm 0.25$



NOTE:PREVIOUSLY CALLED HR3916

|  |                                   |   |                    |   |              |                              |                     |
|--|-----------------------------------|---|--------------------|---|--------------|------------------------------|---------------------|
| CLIENT:<br>PORTA                               | PROFILE NAME:<br>CONTOURS BEAD    | DESCRIPTION:<br>CUSTOM MOULD  | DRAWN: SATISH      |  | Porta        | 224-256 Heidelberg Road      | Tel +61 3 9488 3222 |
|  |                                   |   |                    |   |              |                              |                     |
| PROJECT NAME / JOB TITLE: RIVERINE CORNER BEAD | DWG TITLE / PRODUCT CODE: CBA3916 | SPECIES:  | REVISION: 2        |  | P.O. Box 195 | Fairfield 3078 VIC Australia | info@porta.com.au   |
|  |                                   |  | EDITED: 19/02/2019 |   |              |                              |                     |