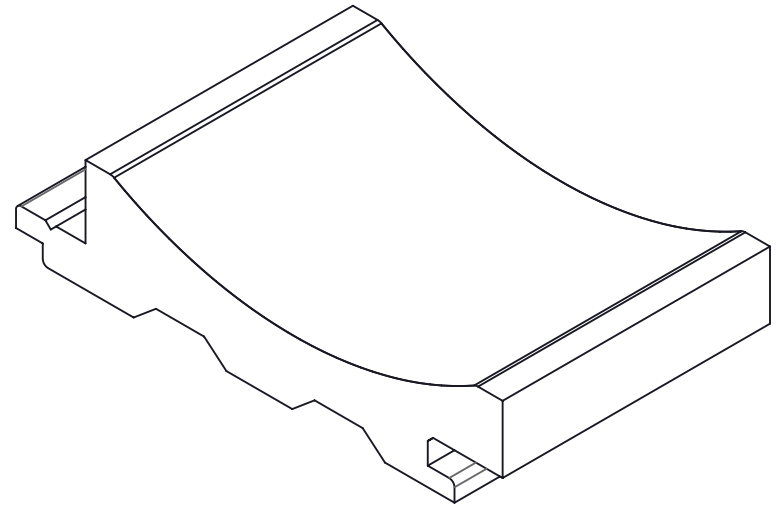
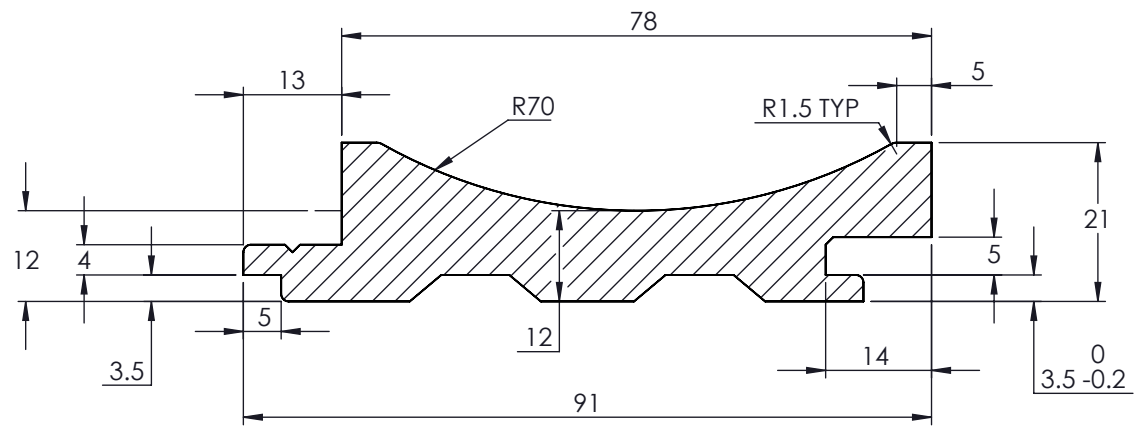


DO NOT SCALE - IF IN DOUBT ASK



REV	DATE	DESCRIPTION	DRN	APP
1				
2				
3				



224-256 Heidelberg Road
Fairfield, Vic, 3078

www.porta.com.au ph : (03) 9488-3222

DRN PR	DATE 29/10/2018	CLIENT: PORTA	MATERIAL TOSL	SHT SIZE A4
DES	DATE / /	JOB TITLE:	FINISH NATURAL	SHEET 1 OF 1
CHK	DATE / /	DWG TITLE:		REV A
APP	DATE / /	TOLERANCES: UNLESS OTHERWISE SPECIFIED, DIMENSIONS ARE IN MILLIMETRES TOLERANCES: LINEAR: ± 0.25 ANGULAR: ± 0.5°		
	SCALE 1:1	JOB No. LINK 7821 VAL	DWG No. LINK 7821 Valley	