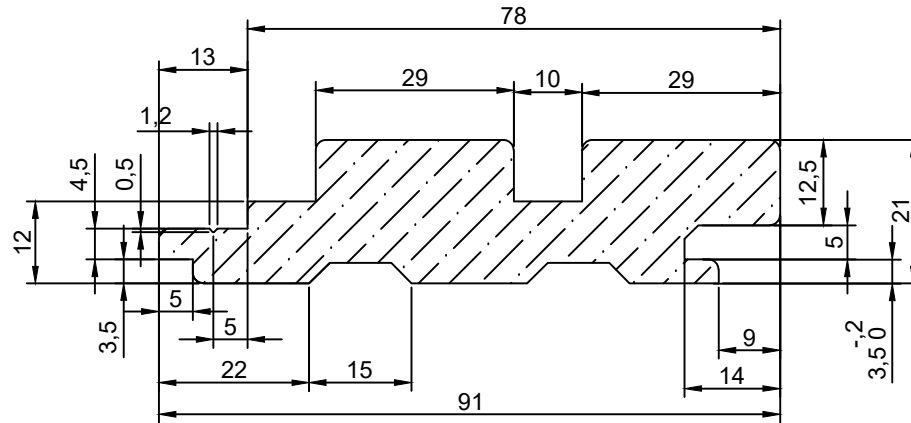


DO NOT SCALE - IF IN DOUBT ASK



GENERAL TOLERANCE: ± 0.25 MM

249 x 386

REV	DATE	DESCRIPTION	DRN	APP
1				
2				
3				
4				
5				
6				



PORTA

224-256 Heidelberg Road
Fairfield, Vic, 3078
PH: (03)94883222

DRN	DATE	CLIENT	SHT SIZE
SATISH	10/10/17	PORTA	
DES	DATE	JOB TITLE	SHEET
		LINING BOARD RANGE	
CHK	DATE	DWG TITLE	REV
		LIND7821 LINING BOARD STRATA	
APP	DATE	JOB No.	
		LIND7821	
		DWG No.	
		LIND7821	