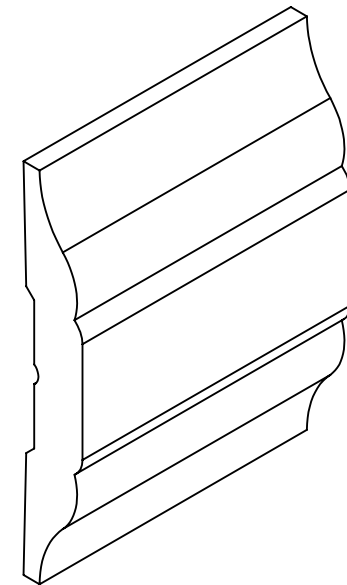
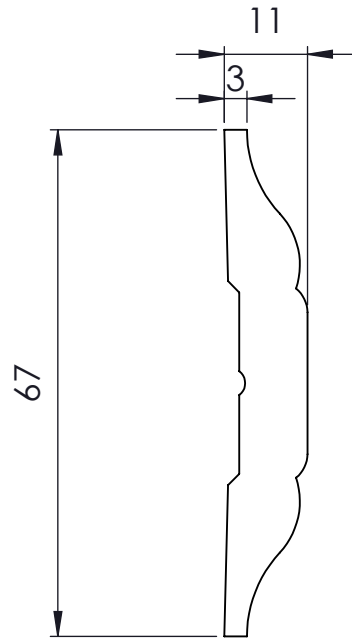


DO NOT SCALE - IF IN DOUBT ASK



A
B
C
D

A
B
C
D

1 2 3 4 5 6

REV	DATE	DESCRIPTION	DRN	APP



224-256 Heidelberg Road
Fairfield, Vic, 3078
www.porta.com.au ph : (03) 9488-3222

DRN JP	DATE 14/12/2016	CLIENT:	MATERIAL Pine FJ	SHT SIZE A4
DES	DATE / /	JOB TITLE:	FINISH Natural	SHEET 1 OF 1
CHK	DATE / /	DWG TITLE:	TOLERANCES: UNLESS OTHERWISE SPECIFIED, DIMENSIONS ARE IN MILLIMETRES TOLERANCES: LINEAR: ± 0.25 ANGULAR: ± 0.5°	REV A
APP	DATE / /	JOB No. CR6711	DWG No. CR6711PIFJ	

1 2 3 4 5 6