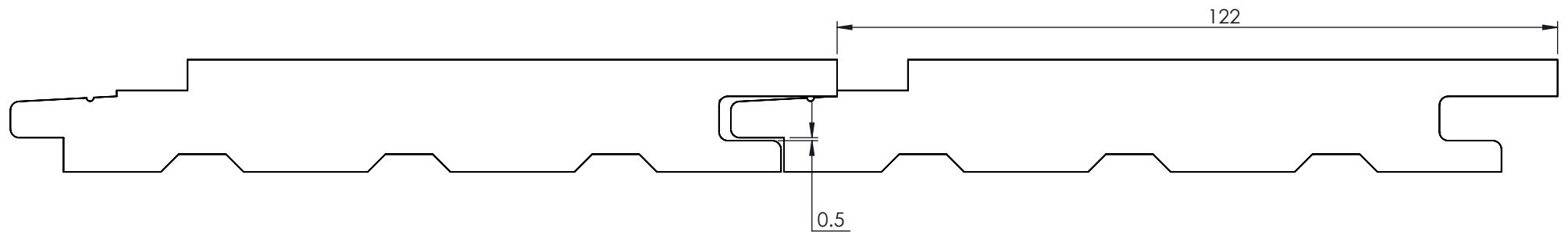
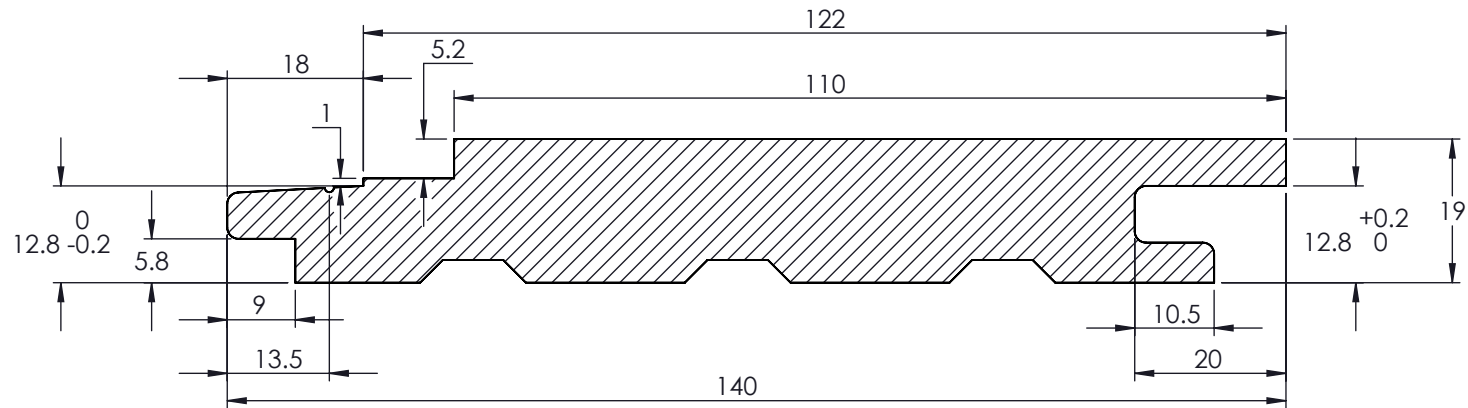


DO NOT SCALE - IF IN DOUBT ASK



REV	DATE	DESCRIPTION	DRN	APP
1				
2				
3				
4				
5				
6				



224-256 Heidelberg Road
Fairfield, Vic, 3078

www.porta.com.au ph : (03) 9488-3222

DRN	DATE	CLIENT:	MATERIAL	SHT SIZE
PR	16/05/2019	PORTA	CUMARU	A4
DES	DATE	JOB TITLE:	FINISH	SHEET
	/ /	ENTS 12219	NATURAL	1
CHK	DATE	DWG TITLE:		OF
	/ /	SHIPLAP CLADDING T&G CONCEALED FIX		1
APP	DATE	TOLERANCES:		REV
	/ /	UNLESS OTHERWISE SPECIFIED: DIMENSIONS ARE IN MILLIMETRES TOLERANCES: LINEAR: ± 0.25 ANGULAR: ± 0.5°		A
	SCALE	JOB No.	DWG No.	
		ENTS 12219	ENTS 12219	