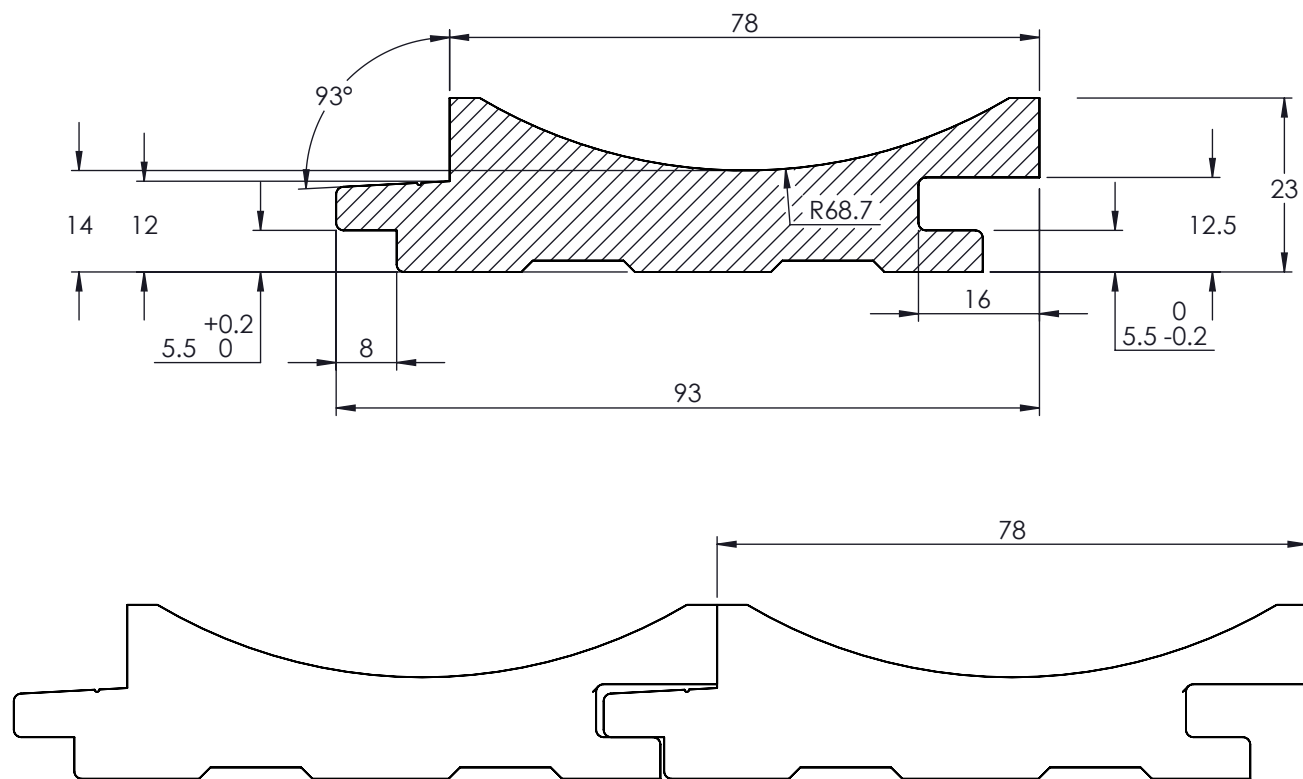


DO NOT SCALE - IF IN DOUBT ASK



REV	DATE	DESCRIPTION	DRN	APP



 224-256 Heidelberg Road
 Fairfield, Vic, 3078
www.porta.com.au ph : (03) 9488-3222

DRN PR	DATE 16/05/2019	CLIENT: PORTA	MATERIAL CUMARU	SHT SIZE A4
DES	DATE / /	JOB TITLE: ENTK 7823	FINISH NATURAL	SHEET 1 OF 1
CHK	DATE / /	DWG TITLE: ENDURE CONCEALED T&G VALLEY		REV A
APP	DATE / /	TOLERANCES: UNLESS OTHERWISE SPECIFIED, DIMENSIONS ARE IN MILLIMETRES TOLERANCES: LINEAR: ± 0.25 ANGULAR: ± 0.5°		
SCALE		JOB No. ENTK 7823	DWG No. ENTK 7823	