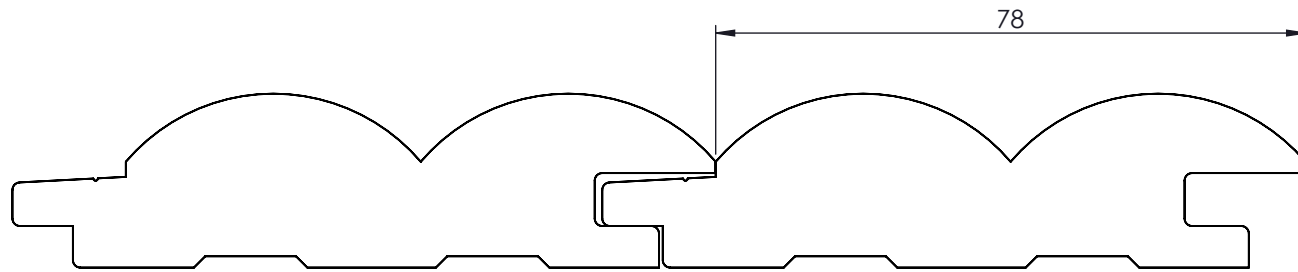
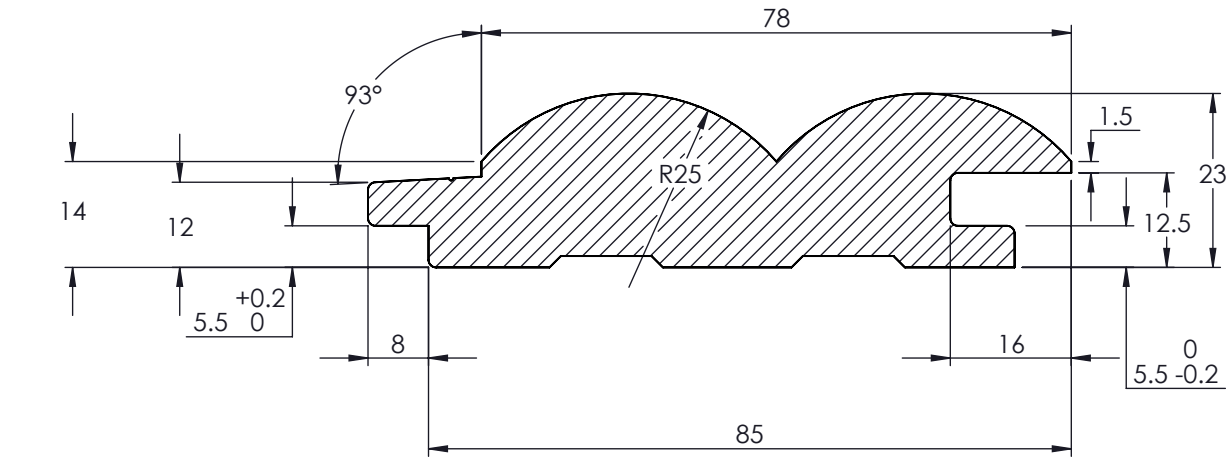


DO NOT SCALE - IF IN DOUBT ASK



| REV | DATE | DESCRIPTION | DRN | APP |
|-----|------|-------------|-----|-----|
| 1 | | | | |
| 2 | | | | |
| 3 | | | | |
| 4 | | | | |
| 5 | | | | |
| 6 | | | | |



224-256 Heidelberg Road
Fairfield, Vic, 3078

www.porta.com.au ph : (03) 9488-3222

| | | | | |
|--------|-----------------|---|-------------------|--------------|
| DRN PR | DATE 16/05/2019 | CLIENT: PORTA | MATERIAL CUMARU | SHT SIZE A4 |
| DES | DATE / / | JOB TITLE: ENTA 7823 | FINISH NATURAL | SHEET 1 OF 1 |
| CHK | DATE / / | DWG TITLE: ENDURE FACE FIX T&G RIVERINE | | REV |
| APP | DATE / / | TOLERANCES: UNLESS OTHERWISE SPECIFIED, DIMENSIONS ARE IN MILLIMETRES TOLERANCES: LINEAR: ± 0.25 ANGULAR: ± 0.5° | | A |
| | SCALE | JOB No. ENTA 7823 | DWG No. ENTA 7823 | |