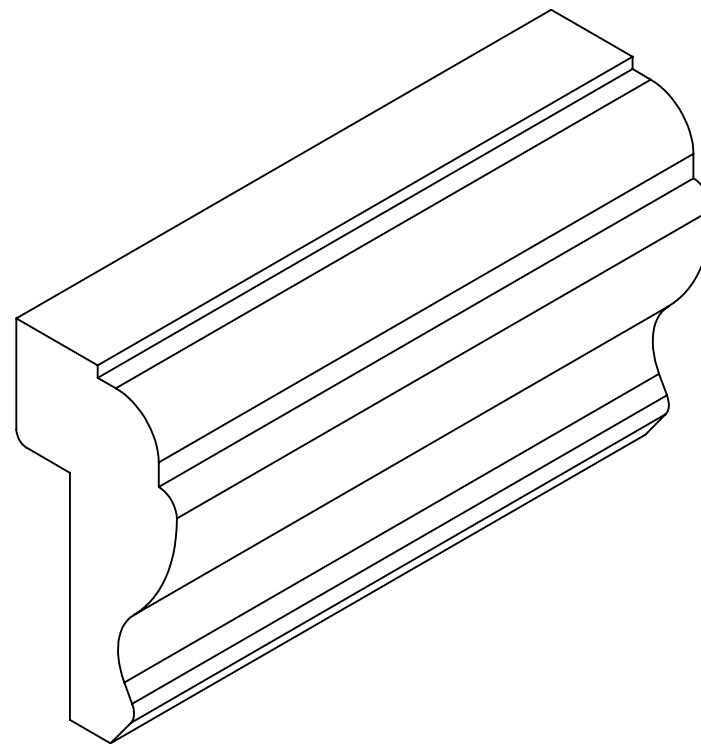
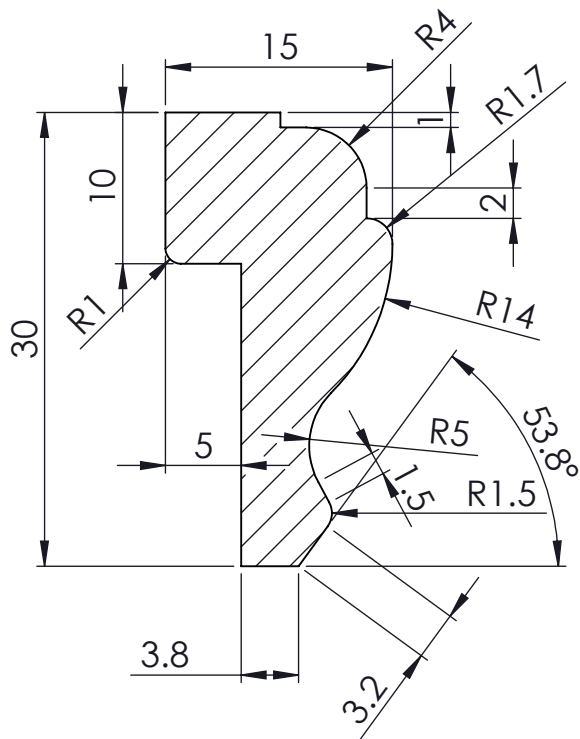


DO NOT SCALE - IF IN DOUBT ASK



REV	DATE	DESCRIPTION	DRN	APP
1				
2				
3				
4				
5				
6				



224-256 Heidelberg Road
Fairfield, Vic, 3078

www.porta.com.au ph : (03) 9488-3222

DRN JP	DATE 31/01/2017	CLIENT:	MATERIAL Pine FJ	SHT SIZE A4
DES	DATE / /	JOB TITLE:	FINISH Natural	SHEET 1 OF 1
CHK	DATE / /	DWG TITLE: 30X15 SHD		REV A
APP	DATE / /	TOLERANCES: UNLESS OTHERWISE SPECIFIED, DIMENSIONS ARE IN MILLIMETRES TOLERANCES: LINEAR: ± 0.25 ANGULAR: ± 0.5°		
	SCALE 2:1	JOB No. SHD3015	DWG No. SHD3015PIFJ	