

1

2

3

4

5

6

DO NOT SCALE - IF IN DOUBT ASK

A

B

C

D

A

B

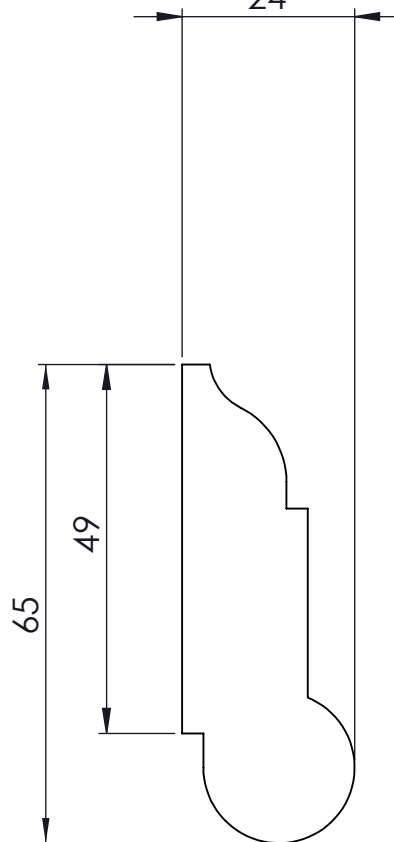
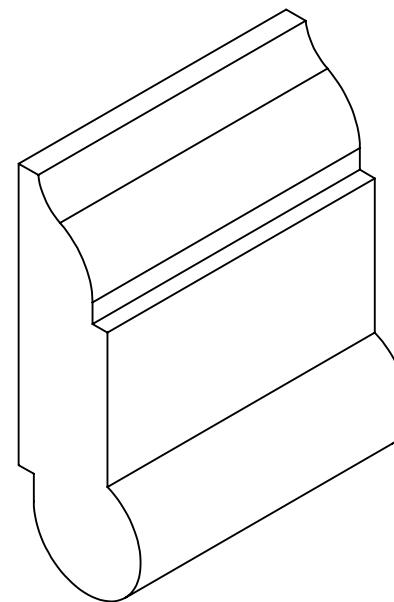
C

D

24

65

49



REV	DATE	DESCRIPTION	DRN	APP



224-256 Heidelberg Road
Fairfield, Vic, 3078

www.porta.com.au ph : (03) 9488-3222

DRN JP	DATE 1/12/2016	CLIENT:	MATERIAL Pine CL	SHT SIZE A4
DES	DATE / /	JOB TITLE:	FINISH Natural	SHEET 1 OF 1
CHK	DATE / /	DWG TITLE: 65X24 PR		REV
APP	DATE / /	TOLERANCES: UNLESS OTHERWISE SPECIFIED, DIMENSIONS ARE IN MILLIMETRES TOLERANCES: LINEAR: ± 0.25 ANGULAR: ± 0.5°		A
SCALE 1:1		JOB No. PR6524	DWG No. PR6524PICL	

1

2

3

4

5

6