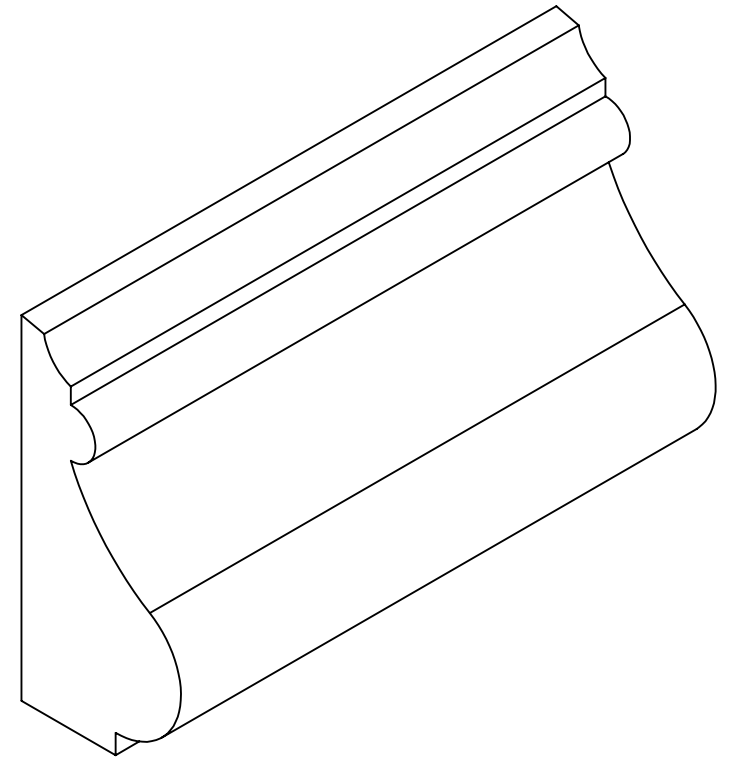
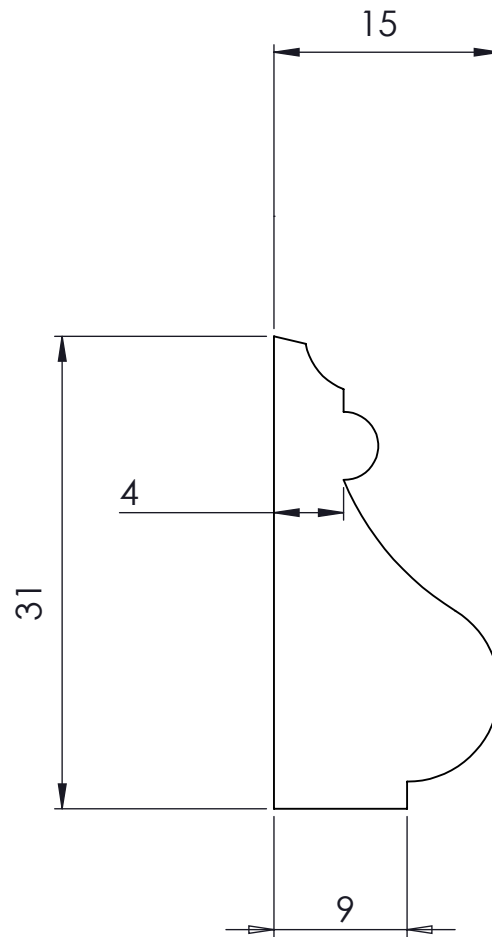


DO NOT SCALE - IF IN DOUBT ASK



REV	DATE	DESCRIPTION	DRN	APP



224-256 Heidelberg Road  
Fairfield, Vic, 3078

www.porta.com.au ph : (03) 9488-3222

DRN JP	DATE 1/12/2016	CLIENT:	MATERIAL Pine CL	SHT SIZE A4
DES	DATE / /	JOB TITLE:	FINISH Natural	SHEET 1 OF 1
CHK	DATE / /	DWG TITLE: 31X15 PM	TOLERANCES: UNLESS OTHERWISE SPECIFIED, DIMENSIONS ARE IN MILLIMETRES TOLERANCES: LINEAR: ± 0.25 ANGULAR: ± 0.5°	REV A
APP	DATE / /	JOB No. PM3115	DWG No. PM3115PICL	



SCALE  
2:1