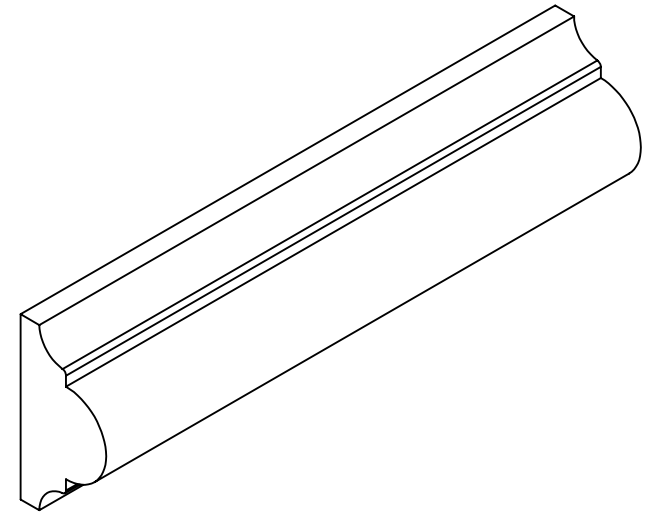
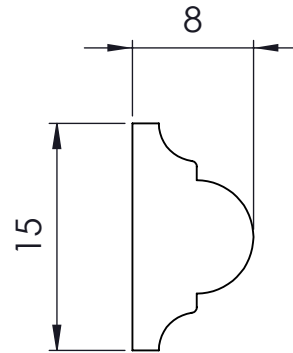


DO NOT SCALE - IF IN DOUBT ASK



A
B
C
D

A
B
C
D

REV	DATE	DESCRIPTION	DRN	APP



224-256 Heidelberg Road
Fairfield, Vic, 3078
www.porta.com.au ph : (03) 9488-3222

DRN JP	DATE 31/01/2017	CLIENT:	MATERIAL Tas Oak SL	SHT SIZE A4
DES	DATE / /	JOB TITLE:	FINISH Natural	SHEET 1 OF 1
CHK	DATE / /	DWG TITLE: 15X08 PM	TOLERANCES: UNLESS OTHERWISE SPECIFIED: DIMENSIONS ARE IN MILLIMETRES TOLERANCES: LINEAR: ± 0.25 ANGULAR: ± 0.5°	REV A
APP	DATE / /	JOB No. PM1508	DWG No. PM1508TOSL	

1 2 3 4 5 6