

1

2

3

4

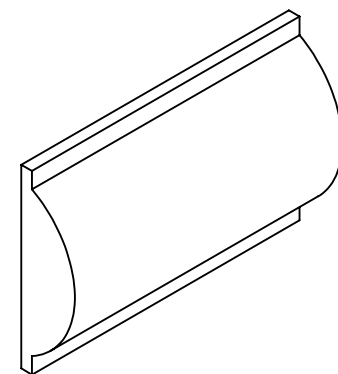
5

6

DO NOT SCALE - IF IN DOUBT ASK

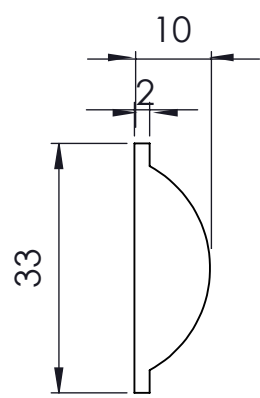
A

A



B

B



C

C

D

D

REV	DATE	DESCRIPTION	DRN	APP



224-256 Heidelberg Road
Fairfield, Vic, 3078

www.porta.com.au ph : (03) 9488-3222

DRN JP	DATE 19/12/2016	CLIENT:	MATERIAL WHITE WOOD SL	SHT SIZE A4
DES	DATE / /	JOB TITLE:	FINISH NATURAL	SHEET 1 OF 1
CHK	DATE / /	DWG TITLE:	TOLERANCES: UNLESS OTHERWISE SPECIFIED, DIMENSIONS ARE IN MILLIMETRES TOLERANCES: LINEAR: ± 0.25 ANGULAR: ± 0.5°	REV A
APP	DATE / /	JOB No. OP3310	DWG No. OP3310WOSL	

1

2

3

4

5

6