

1

2

3

4

5

6

DO NOT SCALE - IF IN DOUBT ASK

A

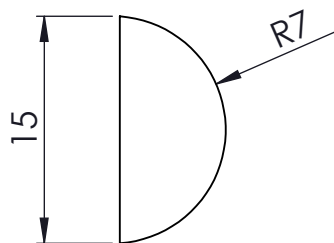
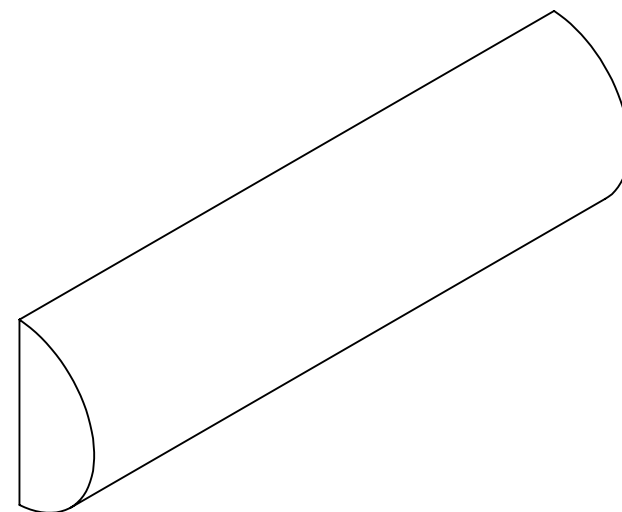
A

B

B

C

C



D

D

REV	DATE	DESCRIPTION	DRN	APP



224-256 Heidelberg Road
Fairfield, Vic, 3078

www.porta.com.au ph : (03) 9488-3222

DRN JP	DATE 31/01/2017	CLIENT:	MATERIAL Tas Oak SL	SHT SIZE A4
DES	DATE / /	JOB TITLE:	FINISH Natural	SHEET 1 OF 1
CHK	DATE / /	DWG TITLE: 15X07 HR	TOLERANCES: UNLESS OTHERWISE SPECIFIED, DIMENSIONS ARE IN MILLIMETRES TOLERANCES: LINEAR: ± 0.25 ANGULAR: ± 0.5°	REV A
APP	DATE / /	JOB No. HR1507	DWG No. HR1507TOSL	
SCALE 2:1				

1

2

3

4

5

6