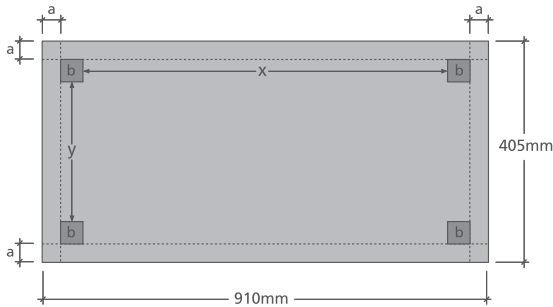
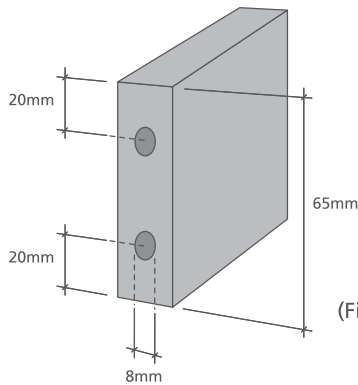


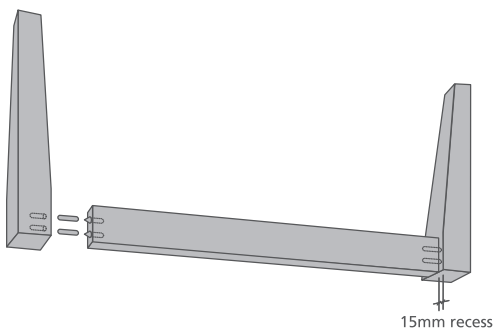
Skill Level - Medium



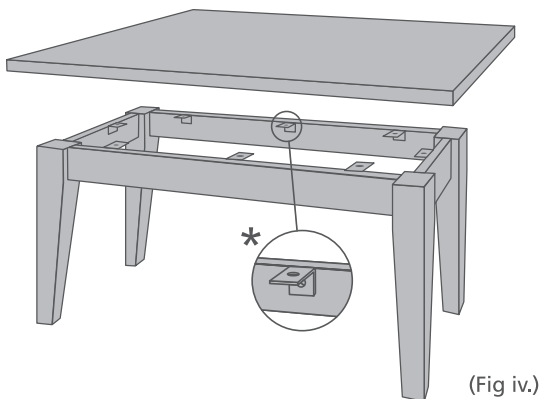
(Fig i.)



(Fig ii.)



(Fig iii.)



(Fig iv.)

Materials required:

Table Top: 1 x 405 x 19 x 910mm panel

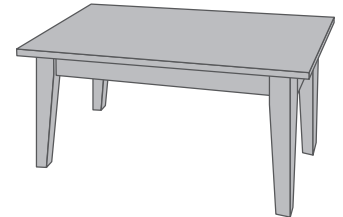
Porta Code DAR40519PICL

Legs: 4 x 450mm long-tapered legs

Porta Code TAPLL56PICL045

Rails: 2 x 65 x 18 x 1200mm

Porta Code DAR6518PICL1.2



Tools & hardware:

Saw

Drill, Dowelling Jig & Centre-points

Screwdriver

16 x 8mm dowels

(furniture or fluted are easiest to use), approximately 30mm long

Clamp, 8 metal Angle Brackets* & 16 x 12mm Screws

Instructions: Please read instructions in their entirety before you proceed.

The following is based on a 910mm x 405mm panel as per fig (i) with overhang of 35mm and leg dimensions of 56mm. Please check all component measurements & adjust if necessary.

Preparation: (1) On tabletop underside, mark overhang "a" all round at 35mm (Fig i.) (2) Cut 2 rail sides (x) = 728mm. (3) Cut 2 rail ends (y) = 223mm. (4) Mark position for two centralized dowel holes, (Fig ii.) on each end of all rails. Drill carefully. Hole depth should be approx.

1/2 dowel length plus a couple of mm for glue.

Hint: A piece of masking tape around the drill bit can serve as a useful depth gauge.

Base Assembly: (more easily done "upside-down"): (5) Lay out component pieces as they are to be assembled, ensuring that the straight side of the leg is on the outer side. (6) Insert centre points in ends of one side rail piece. Position rail flush to the top of the leg, but recessed 15mm from the front of the leg (Fig iii.) (7) Press rail into leg. The centre points mark dowel drill hole positions on the leg. Drill leg dowel holes. Repeat process for the other end of the side rail. (8) Insert a little glue into rail & leg dowel holes. Insert dowels into rail and then fit into leg. It should be a good firm fit – use a rubber mallet if necessary. Clamp firmly & wait until glue is dry. In the meantime, repeat points 6, 7 & 8 for the other side. (9) Fix rail ends to legs in same manner to complete the rectangular base. Check for square, clamp and allow glue to dry.

Final Assembly: (11) Position base frame on underside of table top carefully. To secure, screw metal plates to both rail and underside of table top using 12mm screws through pre-drilled pilot holes. (Fig iv.) (12) Finish all surfaces to suit your taste, working to paint manufacturers instructions.

The project instructions in this brochure are a recommendation only. If further detail is required, Porta recommends contacting a qualified tradesperson. Whilst every effort has been made to ensure the accuracy of the information in this brochure, Porta assumes no responsibility for errors or omissions or any consequence of reliance on this brochure. Porta recommends that appropriate safety wear be used at all times when working with wood.